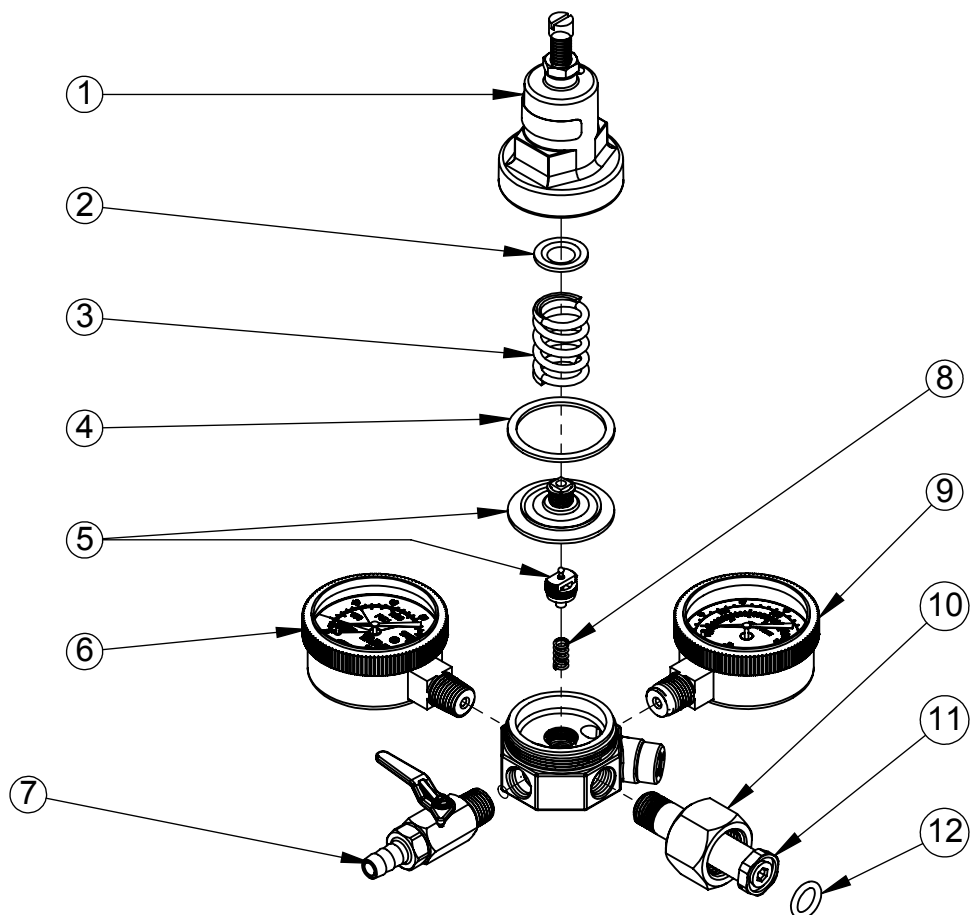


3741-BR REGULATOR ASSEMBLY

PARTS BREAKDOWN



<u>ITEM</u>	<u>PART NO</u>	<u>DESCRIPTION</u>
1.	3740-2PA	-SMALL ZINC BONNET, BLACK
2.	***	-SPRING RETAINER
3.	***	-LOW PRESSURE DIAPHRAGM SPRING
4.	***	-DIAPHRAGM/BONNET GASKET
5.	3740-17	-DIAPHRAGM REPAIR KIT: 1.6" BALL AND SOCKET TYPE DIAPHRAGM, CAPSULE, AND O-RING (ITEM 12)
6.	6603-2000	-2000 PSI UL GAUGE
7.	1600C	-5/16 BARB SHUT-OFF WITH CHECK-VALVE
8.	***	-CAPSULE SPRING
9.	624	-60 PSI UL GAUGE
10.	440-13UD	-CO2 TANK NUT, CGA 320
11.	740-12	-CO2 TANK NIPPLE ASSEMBLY WITH O-RING, LEFT HAND THREAD
12.	2406-11	-O-RING FOR TANK NIPPLE

*** NOT NORMALLY REPLACED WHEN REPAIRING REGULATOR