



North American Dispense Systems, Inc.

For use with single valve kegs
(American and European models
available).

Safe, efficient and simple to operate,
it meets all of your performance re-
quirements.

Safe: A high-capacity pressure relief
valve has been incorporated as an integral
part of the coupler body. This serves two
purposes: first, when functioning with
other relief devices in the system, it will
prevent a keg from reaching pressures in
excess of recommended working pressure.
Secondly, it allows the user to relieve
pressure when needing to prevent or
correct dispensing problems.

Efficient: Designed for maximum flow, it
can be used for either **single** or **series**
keg dispensing.

Specially designed pressure inlet nipple
eliminates the need for a coupling washer
when used with standard NADS check
valve.

Flow of gas is controlled by lever handle;
in up position pressure is off, when down
it is on.

Simple: Locate coupler onto the keg
valve and rotate clockwise until secure.
Pull the lever handle out and push down;
this opens the keg valve and pressure inlet
on the coupler. You are now ready to
dispense.

The coupler can be quickly dismantled for
cleaning and periodic service. No special
tools required.

North American Dispense Systems, Inc.

3240 Northwestern Dr.
San Antonio, Texas 78238

Phone: 800-682-7748
Fax: 210-646-6009
Email: sales@nadsinc.com

Coupling Head



CH5400A

CH5200G

CH5300U

MODEL NUMBERS

DESCRIPTION

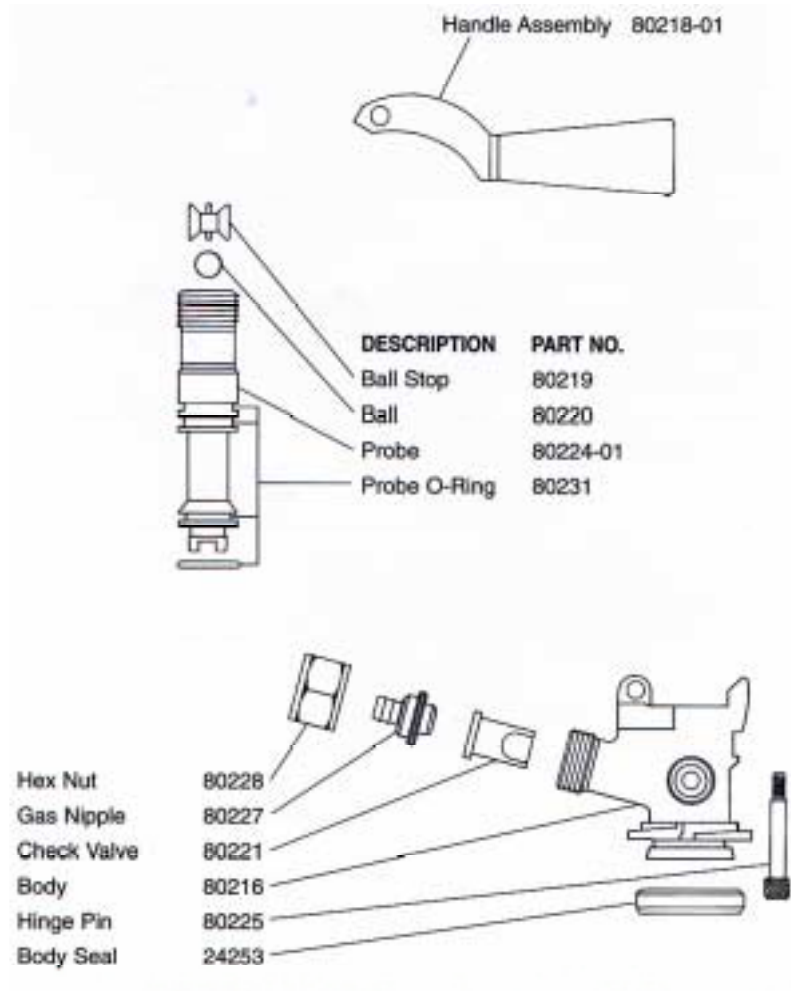
CH5000	Coupling Head w/ Blue Handle
CH5001	Coupling Head w/ Red Handle
CH5002	Coupling Head w/ Black Handle
CH5100	European Model w/ Black Handle



North American Dispense Systems, Inc.

Coupling Head Replacement Parts List

Part #	Description
80218-01	Handle Assembly
80218-02	Handle Assmby Blue
80218-03	Handle Assmby Black
80219	Ball Stop
80220	Ball
80224-01	Probe Assembly
80231	Probe O-Ring
80228	Hex Nut
80227	Gas Nipple
80221	Check Valve
80216-01	Body Assembly
80225	Hinge Pin S/S
24253	Body Seal



North American Dispense Systems, Inc.

3240 Northwestern Dr.
San Antonio, Texas 78238

Phone: 800-682-7748
Fax: 210-646-6009
Email: sales@nadsinc.com